



SONO-CON™ ACOUSTICAL DOORS AND WINDOWS

STEEL - STAINLESS STEEL - WOOD

**MANUFACTURERS OF
SONO-CON NOISE CONTROL ENCLOSURES,
ABSORPTIVE PANELS, SOUNDWALLS,
AND SILENCER SYSTEMS**

www.phoenix-e.com

SONO-CON™

**SOUND RATED DOOR AND
FRAME
ASSEMBLIES**

STC 46 TO STC 53

**UL 1-1/2 HOUR
FIRE RATINGS**

**14 GAGE STEEL FRAMES
16 GAGE STEEL DOORS**

**PRIME PAINTED
STEEL
STAINLESS STEEL
WOOD CONSTRUCTIONS**

**ARCHITECTURAL
INDUSTRIAL
CUSTOM
APPLICATIONS**



**SINGLE AND
DOUBLE LEAF DOORS**

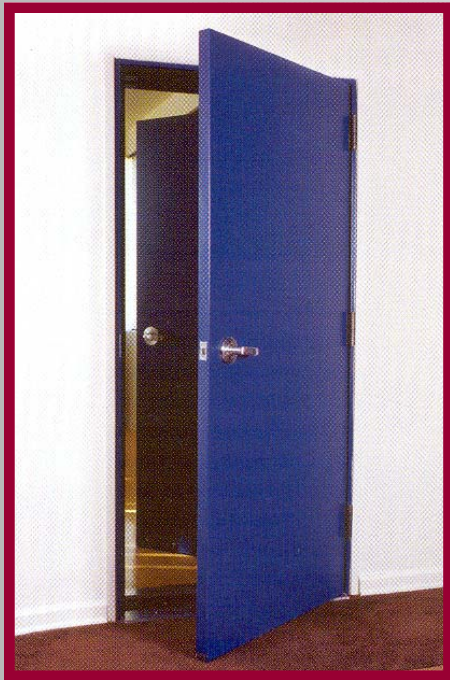
**SPECIAL FINISHES
AVAILABLE**

CAM-LIFT HINGES

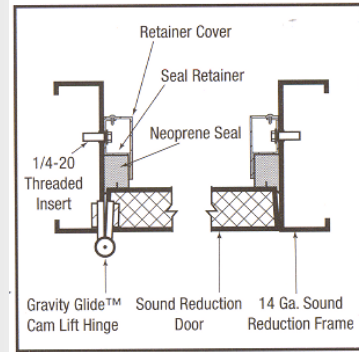
**DOOR HARDWARE
PACKAGES**

T
phoenix-E

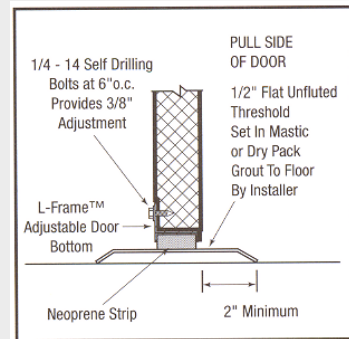
SONO-CON ACOUSTICAL DOOR DETAILS



DOOR JAMB SEALS

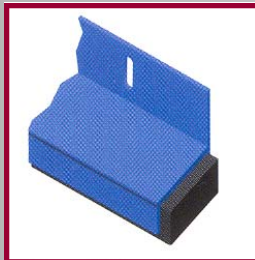
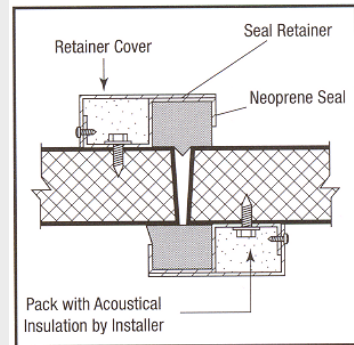


DOOR BOTTOM SEALS



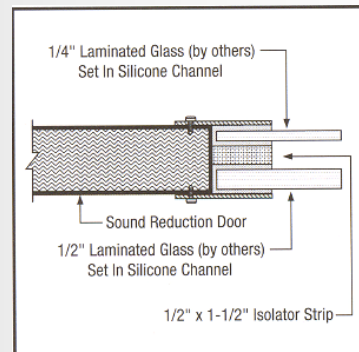
CAM-LIFT HINGES FOR A POSITIVE THRESHOLD ACOUSTICAL SEAL

DOUBLE DOOR ASTRAGAL



ONCE ADJUSTED, DOOR BOTTOM SEALS REQUIRE LITTLE MAINTENANCE

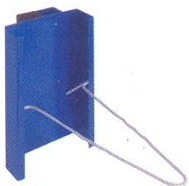
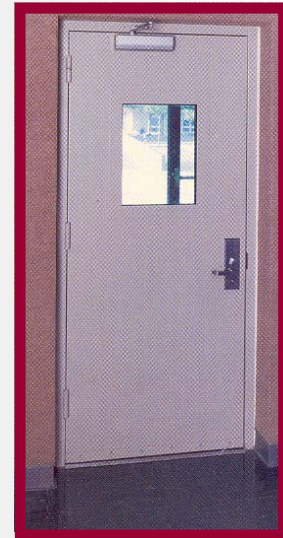
DOOR GLAZING



SONO-CON™ RATED ACOUSTICAL DOOR AND WINDOW ASSEMBLIES

DOORS

STC	LBS/FT ²	SEAL	FIRE RATING	GLASS	NOTES
53	15.8	Compress.	90 min.	None	1-3/4" HM
52	14.6	Compress.	90 min.	None	1-3/4" HM
50	13.6	Compress.	N/A	None	1-3/4" WD
49	15.8	Compress.	90 min.	None	1-3/4" HM
49	13.4	Magnetic	90 min.	None	1-3/4" HM
48	12.7	Compress.	90 min.	None	1-3/4" HM
48	15.8	Magnetic	90 min.	None	1-3/4" HM
48	14.4	Compress.	90 min.	100 sq in.	1-3/4" HM
47	15.8	Compress.	90 min.	None	1-3/4" HM
46	14.6	Compress.	90 min.	None	1-3/4" HM



Masonry Anchor



Metal Stud Anchor



Bolt-In Anchor



Wood Stud Anchor

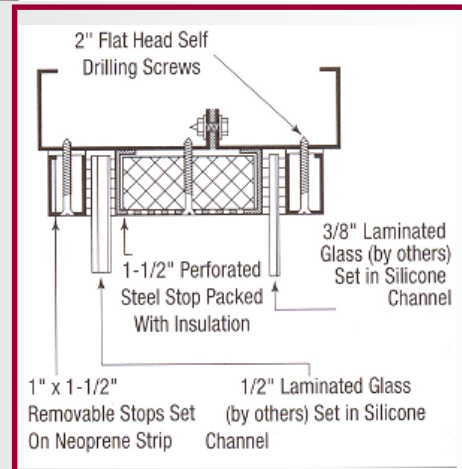


Floor Anchor


WINDOWS

STC	LBS/FT ²	GLASS AREA	GLASS TYPE
57	28.3	21 sq ft	3/8" lam 1/2" lam
50	16.2	16.5 sq ft	1/4" lam 1/2" lam
40	16.2	16.5 sq ft	1/2" lam
36	16.2	16.5 sq ft	1/4" lam

Note: Silicone gasketing.



GLAZING
DETAIL



phoenix-E

339 MOBIL AVE.
CAMARILLO, CA 93010
TEL: (805) 484-0794 • FAX: (805) 987-2495

CAMARILLO • LOS ANGELES • LIVERMORE
SAN FRANCISCO • SEATTLE • TAIPEI

1-800-241-4207

www.phoenix-e.com